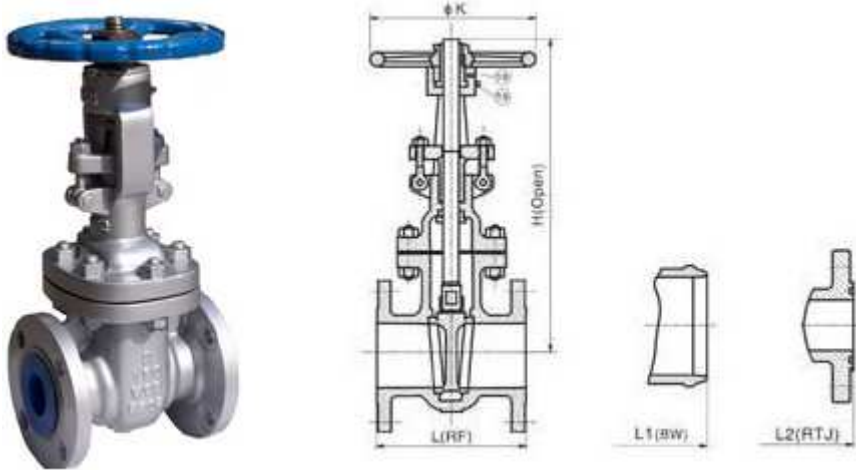




CLASS 150-1500 CAST STEEL GATE VALVE



Features:

CLASS 150~1500 CAST STEEL GATE VALVE

OS&Y, Rising stem, Flexible Wedge

Bolted Bonnet, Threaded or welded seat ring

ASTM A216 WCB, A217 WC6, A351 CF8, A351 CF8M,

A351 CF3, A351 CF3M, A351 CN7M, A352 LCB

Standards compliance

Design and Manufacture: ANSI B16.34, API600 API6D, API603, BS1414

Face to face(end to end): ANSI B16.10, API6D

Flanged connection: 2"~24" to ANSI B16.5

22",26"~36" to MSS-SP-44 or to API605 on Request

Test and inspection: API598, API6D

Butt welded end: ANSI B16.5



A. Anti-friction ball thrust bearing: Reduces friction between mating parts to ensure smooth operation

B. Grub screw: Secures yoke nut in the bonnet

C. Grease nipple: Supplies lubricant to the mating parts

Materials		
NO.	Part name	Material
19	Grease nipple	Brass
18	Grub screw	Carbon steel
17	Hand wheel nut	Carbon steel
16	Hand wheel	Malleable Iron/cast steel/ ducile Iron/fabricated steel
15	Yoke nut	Carbon steel/SS
14	Eye bolt and nut	A 193 B7/A194 2H~A193 B8/A194 8
13	Pin	Carbon steel/stainless steel
12	Stem nut	A 439-D2/cu-alloy
11	Gland flange	Carbon steel/equivalent to body material
10	Gland	Stain less steel
09	Back seat	Stain less steel
08	Stem	Stain less steel
07	Seat ring	CS+SS/SS/SS+STL
06	Wedge	Material see body

NO.	Part name	WCB	LCB	WC6	WC9
05	Bolt and nut	A193 Gr B7/A194 Gr 2H	A320 Gr L7/A194 Gr 4	A193 Gr B16/A194 Gr 4/7	A193 Gr B16/A194 Gr 4/7
04	Gland Packing	Graphite	Graphite	Graphite	Graphite
03	Gasket	Spiral wound/Soft Iron	Spiral wound/Soft Iron	Spiral wound/SS304	Spiral wound/SS304
02	Bonnet	A216 Gr WCB	A352 Gr LCB	A271 Gr WC6	A271 Gr WC9
01	Body	A216 Gr WCB	A352 Gr LCB	A271 Gr WC6	A271 Gr WC9



NO.	Part name	C5	C12	CF8	CF8M
05	Bolt and nut	A193 Gr B16/A194 Gr 4/7	A193 Gr B16/A194 Gr 4/7	A193 B8/A194 8	A193 B8M/A194 B8
04	Gland Packing	Graphite	Graphite	Graphite	Graphite
03	Gasket	Spiral wound/Soft Iron	Spiral wound/Soft Iron	Spiral wound/SS304	Spiral wound/SS316
02	Bonnet	A217 Gr C5	A217 Gr C12	A351 Gr CF8	A351 Gr CF8M
01	Body	A217 Gr C5	A217 Gr C12	A351 Gr CF8	A351 Gr CF8M

CLASS 150~1500 CAST STEEL GATE VALVE

Class	Dimensions										
	Size	inch	2	2-1/2	3	4	6	8	10	12	
150	L-RF	mm	178	191	203	229	267	292	330	356	
	L1-BW	mm	216	241	283	305	403	419	457	502	
	L2-RTJ	mm	191	203	216	241	279	305	343	368	
	H	mm	400	490	510	585	795	1015	1230	1465	
	K	mm	200	200	250	300	350	350	400	450	
	Wt	RF	kg	18	28	30	50	85	128	220	310
		BW	kg	15	22	26	40	77	118	200	290
RTJ		kg	20	29	37	56	84	138	210	310	
300	L1-BW	mm	216	241	283	305	403	419	457	502	
	L2-RTJ	mm	232	257	298	321	419	435	473	518	
	H	mm	470	525	533	610	845	1050	1295	1600	
	K	mm	200	200	250	300	350	350	400	450	
	Wt	RF	kg	24	44	48	73	145	226	350	580
		BW	kg	20	35	37	54	110	174	285	495
		RTJ	kg	20	35	37	54	110	174	285	495



600	Size	inch	2	2-1/2	3	4	6	8	10	12	
	L-RF	mm	292	330	356	432	559	660	787	838	
	L1-BW										
	L2-RTJ	mm	295	333	359	435	562	664	791	841	
	H	mm	495	550	615	735	1005	1245	1480	1730	
	K	mm	200	250	300	350	450	500	600	750	
	Wt	RF	kg	35	55	72	126	365	444	700	940
		BW									
		RTJ	kg	32	47	64	103	218	374	570	830
900	Size	inch	2	2-1/2	3	4	6	8	10	12	
	L-RF	mm	368	419	381	457	610	737	838	965	
	L1-BW										
	L2-RTJ	mm	371	422	384	460	613	740	841	968	
	H	mm	590	700	740	870	1120	1390	1592	1765	

Note: on ~ larger valves, the stem nut with ball bearing reduces operating torque for easy manual operation.